

NOTE:

1. ELECTRICAL TEST:

- (1). 100% OPEN SHORT, MISS WIRE TEST
- (2). INSULATION RESISTANCE:DC 300V 10MΩ ;
- (3). CONDUCTOR RESISTANCE:3Ω Max (More than 3m, add one ohm per meter) ;

2. FLUKE TEST PASS

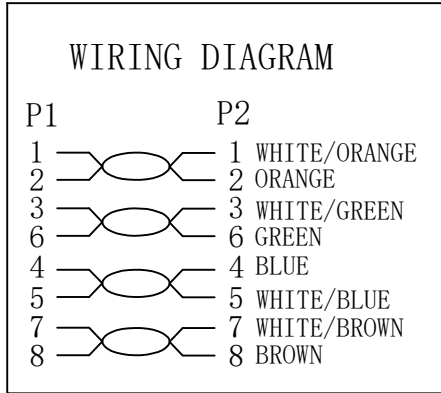
TEST LIMIT:ISO 11801 CHANNEL CLASS D

3. PRINTING:xxxx CAT5E U/UTP 4x2x26AWG/7 LSZH ISO11801 & EN50173 & ANSI/TIA568C.2 xxxx
(xxxx: order No (change with order))

4. ROHS2.0 AND REACH COMPLIANT

MATERIAL LIST

⑥	PACKING	PE BAG	1	
⑤	LABEL	NO DRY GLUE LABEL	2	
④	MINI TIE	PE MINI TIE (POSSESS METAL)	1	
③	OVER MOLD	75A PVC	2	
②	CONNECTOR	RJ45 8P8C Unshielded Plug, Pin Gold Plated 3U", Transparent	2	
①	CABLE	U/UTP CAT. 5E AWG26 BC*1P*4+JACKET:LSZH OD:4.8±0.2mm	1	



NO.	PARTS NAME	SPECIFICATION STANDARD	QT' Y	REMARK		WG	ITEM NO.	SEE THE CHART	UNIT	MM
		NEW		2018-09-12	A	PRODUCT NAME	CAT. 5E U/UTP PATCH CORD			
				DATE	REV.	DRAWN BY	CHECK BY	APPO BY		2018-09-12

COLOR:BLACK PANTONE BLACK 3C		
ITEM	LENGTH	EAN CODE
DC-50-002	250±10mm	8719956625022
DC-50-005	500±15mm	8719956625121
DC-50-010	1000±30mm	8719956625220
DC-50-015	1500±30mm	8719956625329
DC-50-020	2000±30mm	8719956625428
DC-50-030	3000±50mm	8719956625527
DC-50-050	5000±200mm	8719956625626
DC-50-075	7500±200mm	8719956625725
DC-50-100	10000±200mm	8719956625824
DC-50-150	15000±300mm	8719956625923
DC-50-200	20000±300mm	8719956626029
DC-50-300	30000±500mm	8719956626128
DC-50-500	50000±500mm	8719956626227

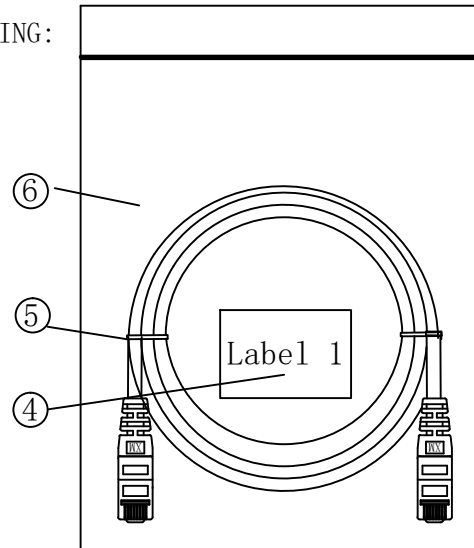
COLOR:GREY RAL 7035		
ITEM	LENGTH	EAN CODE
DC-51-002	250±10mm	8719956625015
DC-51-005	500±15mm	8719956625114
DC-51-010	1000±30mm	8719956625213
DC-51-015	1500±30mm	8719956625312
DC-51-020	2000±30mm	8719956625411
DC-51-030	3000±50mm	8719956625510
DC-51-050	5000±200mm	8719956625619
DC-51-075	7500±200mm	8719956625718
DC-51-100	10000±200mm	8719956625817
DC-51-150	15000±300mm	8719956625916
DC-51-200	20000±300mm	8719956626012
DC-51-300	30000±500mm	8719956626111
DC-51-500	50000±500mm	8719956626210

COLOR:WHITE		
ITEM	LENGTH	EAN CODE
DC-52-002	250±10mm	8719956625008
DC-52-005	500±15mm	8719956625107
DC-52-010	1000±30mm	8719956625206
DC-52-015	1500±30mm	8719956625305
DC-52-020	2000±30mm	8719956625404
DC-52-030	3000±50mm	8719956625503
DC-52-050	5000±200mm	8719956625602
DC-52-075	7500±200mm	8719956625701
DC-52-100	10000±200mm	8719956625800
DC-52-150	15000±300mm	8719956625909
DC-52-200	20000±300mm	8719956626005
DC-52-300	30000±500mm	8719956626104
DC-52-500	50000±500mm	8719956626203

COLOR:GREEN PANTONE 3278C		
ITEM	LENGTH	EAN CODE
DC-53-002	250±10mm	8719956625046
DC-53-005	500±15mm	8719956625145
DC-53-010	1000±30mm	8719956625244
DC-53-015	1500±30mm	8719956625343
DC-53-020	2000±30mm	8719956625442
DC-53-030	3000±50mm	8719956625541
DC-53-050	5000±200mm	8719956625640
DC-53-075	7500±200mm	8719956625749
DC-53-100	10000±200mm	8719956625848
DC-53-150	15000±300mm	8719956625947
DC-53-200	20000±300mm	8719956626043
DC-53-300	30000±500mm	8719956626142
DC-53-500	50000±500mm	8719956626241

COLOR:BLUE PANTONE 285C		
ITEM	LENGTH	EAN CODE
DC-54-002	250±10mm	8719956625053
DC-54-005	500±15mm	8719956625152
DC-54-010	1000±30mm	8719956625251
DC-54-015	1500±30mm	8719956625350
DC-54-020	2000±30mm	8719956625459
DC-54-030	3000±50mm	8719956625558
DC-54-050	5000±200mm	8719956625657
DC-54-075	7500±200mm	8719956625756
DC-54-100	10000±200mm	8719956625855
DC-54-150	15000±300mm	8719956625954
DC-54-200	20000±300mm	8719956626050
DC-54-300	30000±500mm	8719956626159
DC-54-500	50000±500mm	8719956626258

PACKING:



L ≤ 5M: 1pcs/PE Bag+label 1, 10pcs/pe bag+label 2
 L > 5M: 1pcs/PE Bag+label 1

				WG		ITEM NO.	SEE THE CHART
				PRODUCT NAME		CAT. 5E U/UTP PATCH CORD	UNIT MM
NEW				2018-09-12	A	DRAWNBY	CHECKBY
BY	CHK	REVISION RECORD MODIFICATIONS		DATE	REV.	APPOBY	DATE
						2018-09-12	

COLOR:RED PANTONE 199C		
ITEM	LENGTH	EAN CODE
DC-55-002	250±10mm	8719956625039
DC-55-005	500±15mm	8719956625138
DC-55-010	1000±30mm	8719956625237
DC-55-015	1500±30mm	8719956625336
DC-55-020	2000±30mm	8719956625435
DC-55-030	3000±50mm	8719956625534
DC-55-050	5000±200mm	8719956625633
DC-55-075	7500±200mm	8719956625732
DC-55-100	10000±200mm	8719956625831
DC-55-150	15000±300mm	8719956625930
DC-55-200	20000±300mm	8719956626036
DC-55-300	30000±500mm	8719956626135
DC-55-500	50000±500mm	8719956626234

COLOR:ORANGE PANTONE 021C		
ITEM	LENGTH	EAN CODE
DC-56-002	250±10mm	8719956625077
DC-56-005	500±15mm	8719956625176
DC-56-010	1000±30mm	8719956625275
DC-56-015	1500±30mm	8719956625374
DC-56-020	2000±30mm	8719956625473
DC-56-030	3000±50mm	8719956625572
DC-56-050	5000±200mm	8719956625671
DC-56-075	7500±200mm	8719956625770
DC-56-100	10000±200mm	8719956625879
DC-56-150	15000±300mm	8719956625978
DC-56-200	20000±300mm	8719956626074
DC-56-300	30000±500mm	8719956626173
DC-56-500	50000±500mm	8719956626272

COLOR:YELLOW PANTONE 122C		
ITEM	LENGTH	EAN CODE
DC-57-002	250±10mm	8719956625060
DC-57-005	500±15mm	8719956625169
DC-57-010	1000±30mm	8719956625268
DC-57-015	1500±30mm	8719956625367
DC-57-020	2000±30mm	8719956625466
DC-57-030	3000±50mm	8719956625565
DC-57-050	5000±200mm	8719956625664
DC-57-075	7500±200mm	8719956625763
DC-57-100	10000±200mm	8719956625862
DC-57-150	15000±300mm	8719956625961
DC-57-200	20000±300mm	8719956626067
DC-57-300	30000±500mm	8719956626166
DC-57-500	50000±500mm	8719956626265

COLOR:VOLET PANTONE 2725C		
ITEM	LENGTH	EAN CODE
DC-58-002	250±10mm	8719956625091
DC-58-005	500±15mm	8719956625190
DC-58-010	1000±30mm	8719956625299
DC-58-015	1500±30mm	8719956625398
DC-58-020	2000±30mm	8719956625497
DC-58-030	3000±50mm	8719956625596
DC-58-050	5000±200mm	8719956625695
DC-58-075	7500±200mm	8719956625794
DC-58-100	10000±200mm	8719956625893
DC-58-150	15000±300mm	8719956625992
DC-58-200	20000±300mm	8719956626098
DC-58-300	30000±500mm	8719956626197
DC-58-500	50000±500mm	8719956626296

COLOR:PINK PANTONE 212C		
ITEM	LENGTH	EAN CODE
DC-59-002	250±10mm	8719956625084
DC-59-005	500±15mm	8719956625183
DC-59-010	1000±30mm	8719956625282
DC-59-015	1500±30mm	8719956625381
DC-59-020	2000±30mm	8719956625480
DC-59-030	3000±50mm	8719956625589
DC-59-050	5000±200mm	8719956625688
DC-59-075	7500±200mm	8719956625787
DC-59-100	10000±200mm	8719956625886
DC-59-150	15000±300mm	8719956625985
DC-59-200	20000±300mm	8719956626081
DC-59-300	30000±500mm	8719956626180
DC-59-500	50000±500mm	8719956626289

Master mark



Side mark

PO. NO:
 Item no:
 Q' TY:
 N. W:
 G. W
 Dimension:
 Carton No. :
 EAN CODE:

						WG					
						PRODUCT NAME	CAT. 5E U/UTP PATCH CORD			UNIT	MM
NEW						2018-09-12	A	DRAWNBY	CHECKBY	APPOBY	DATE
BY	CHK	REVISION RECORD MODIFICATIONS				DATE	REV.			2018-09-12	