

NOTE:

1. ELECTRICAL TEST:

- (1). 100% OPEN SHORT, MISS WIRE TEST
- (2). INSULATION RESISTANCE: DC 300V 10MΩ ;
- (3). CONDUCTOR RESISTANCE: 3Ω Max (More than 3m, add one ohm per meter) ;

2. FLUKE TEST PASS

TEST LIMIT: ISO 11801 CHANNEL CLASS D

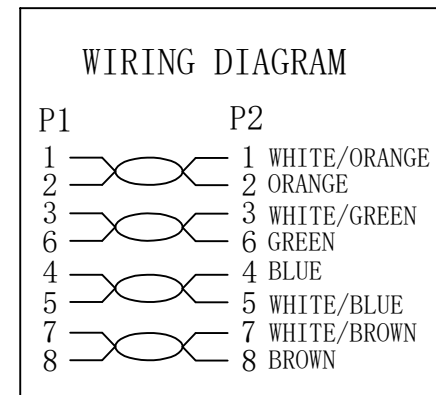
3. PRINTING: xxxx CAT5E U/UTP 4x2x26AWG/7 PVC ISO11801 & EN50173 & ANSI/TIA568C.2 xxxx

(xxxx: order No (change with order))

4. ROHS2.0 AND REACH COMPLIANT

MATERIAL LIST

| | | | | |
|---|-----------|---|---|--|
| ⑥ | PACKING | PE BAG | 1 | |
| ⑤ | LABEL | NO DRY GLUE LABEL | 2 | |
| ④ | MINI TIE | PE MINI TIE (POSSESS METAL) | 1 | |
| ③ | OVER MOLD | 75A PVC | 2 | |
| ② | CONNECTOR | RJ45 8P8C Unshielded Plug, Pin Gold Plated 3U", Transparent | 2 | |
| ① | CABLE | U/UTP CAT. 5E AWG26 CCA*1P*4+JACKET: PVC OD: 4.8 ± 0.2mm | 1 | |



| NO. | PARTS NAME | SPECIFICATION STANDARD | QT' Y | REMARK | WG | ITEM NO. | SEE THE CHART | UNIT | MM |
|-----|------------|------------------------------|-------|--------|--------------|--------------------------|---------------|------|------------|
| | | | | | PRODUCT NAME | CAT. 5E U/UTP PATCH CORD | | | |
| | | | | | DRAWN BY | CHECK BY | APPO BY | | DATE |
| BY | CHK | REVISION RECORD MODIFICATION | | DATE | REV. | | | | 2018-09-12 |

CHART:

| COLOR:BLACK PANTONE BLACK 3C | | |
|------------------------------|-------------|----------------|
| ITEM | LENGTH | EAN CODE |
| DC-C50-002 | 250±10mm | 871.9956626326 |
| DC-C50-005 | 500±15mm | 871.9956626425 |
| DC-C50-010 | 1000±30mm | 871.9956626524 |
| DC-C50-015 | 1500±30mm | 871.9956626623 |
| DC-C50-020 | 2000±30mm | 871.9956626722 |
| DC-C50-030 | 3000±50mm | 871.9956626821 |
| DC-C50-050 | 5000±200mm | 871.9956626920 |
| DC-C50-075 | 7500±200mm | 871.9956627026 |
| DC-C50-100 | 10000±200mm | 871.9956627125 |
| DC-C50-150 | 15000±300mm | 871.9956627224 |
| DC-C50-200 | 20000±300mm | 871.9956627323 |

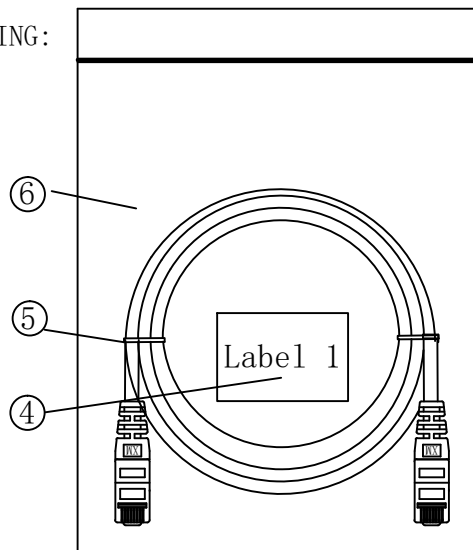
| COLOR:GREY PANTONE 421C | | |
|-------------------------|-------------|---------------|
| ITEM | LENGTH | EAN CODE |
| DGC51-002 | 250±10mm | 8719956626319 |
| DGC51-005 | 500±15mm | 8719956626418 |
| DGC51-010 | 1000±30mm | 8719956626517 |
| DGC51-015 | 1500±30mm | 8719956626616 |
| DGC51-020 | 2000±30mm | 8719956626715 |
| DGC51-030 | 3000±50mm | 8719956626814 |
| DGC51-050 | 5000±200mm | 8719956626913 |
| DGC51-075 | 7500±200mm | 8719956627019 |
| DGC51-100 | 10000±200mm | 8719956627118 |
| DGC51-150 | 15000±300mm | 8719956627217 |
| DGC51-200 | 20000±300mm | 8719956627316 |

| COLOR:WHITE | | |
|-------------|-------------|----------------|
| ITEM | LENGTH | EAN CODE |
| DC-C52-002 | 250±10mm | 871.9956626302 |
| DC-C52-005 | 500±15mm | 871.9956626401 |
| DC-C52-010 | 1000±30mm | 871.9956626500 |
| DC-C52-015 | 1500±30mm | 871.9956626609 |
| DC-C52-020 | 2000±30mm | 871.9956626708 |
| DC-C52-030 | 3000±50mm | 871.9956626807 |
| DC-C52-050 | 5000±200mm | 871.9956626906 |
| DC-C52-075 | 7500±200mm | 871.9956627002 |
| DC-C52-100 | 10000±200mm | 871.9956627101 |
| DC-C52-150 | 15000±300mm | 871.9956627200 |
| DC-C52-200 | 20000±300mm | 871.9956627309 |

| COLOR:GREEN PANTONE 3278C | | |
|---------------------------|-------------|----------------|
| ITEM | LENGTH | EAN CODE |
| DC-C53-002 | 250±10mm | 871.9956626340 |
| DC-C53-005 | 500±15mm | 871.9956626449 |
| DC-C53-010 | 1000±30mm | 871.9956626548 |
| DC-C53-015 | 1500±30mm | 871.9956626647 |
| DC-C53-020 | 2000±30mm | 871.9956626746 |
| DC-C53-030 | 3000±50mm | 871.9956626845 |
| DC-C53-050 | 5000±200mm | 871.9956626944 |
| DC-C53-075 | 7500±200mm | 871.9956627040 |
| DC-C53-100 | 10000±200mm | 871.9956627149 |
| DC-C53-150 | 15000±300mm | 871.9956627248 |
| DC-C53-200 | 20000±300mm | 871.9956627347 |

| COLOR:BLUE PANTONE 285C | | |
|-------------------------|-------------|---------------|
| ITEM | LENGTH | EAN CODE |
| DC-C54-002 | 250±10mm | 8719956626357 |
| DC-C54-005 | 500±15mm | 8719956626456 |
| DC-C54-010 | 1000±30mm | 8719956626555 |
| DC-C54-015 | 1500±30mm | 8719956626654 |
| DC-C54-020 | 2000±30mm | 8719956626753 |
| DC-C54-030 | 3000±50mm | 8719956626852 |
| DC-C54-050 | 5000±200mm | 8719956626951 |
| DC-C54-075 | 7500±200mm | 8719956627057 |
| DC-C54-100 | 10000±200mm | 8719956627156 |
| DC-C54-150 | 15000±300mm | 8719956627255 |
| DC-C54-200 | 20000±300mm | 8719956627354 |

PACKING:



L ≤ 5M: 1pcs/PE Bag+label 1, 10pcs/pe bag+label 2
 L > 5M: 1pcs/PE Bag+label 1

| | | | | | | | | | |
|-----|-----|-------------------------------|--|--------------|--------------------------|----------|---------------|------------|------|
| | | | | | | ITEM NO. | SEE THE CHART | | |
| | | | | PRODUCT NAME | CAT. 5E U/UTP PATCH CORD | | UNIT | MM | |
| NEW | | | | 2018-09-12 | A | DRAWNBY | CHECKBY | APPOBY | DATE |
| BY | CHK | REVISION RECORD MODIFICATIONS | | DATE | REV. | | | 2018-09-12 | |

| COLOR: RED PANTONE 199C | | |
|-------------------------|-------------|---------------|
| ITEM | LENGTH | EAN CODE |
| DC-C55-002 | 250±10mm | 8719956626333 |
| DC-C55-005 | 500±15mm | 8719956626432 |
| DC-C55-010 | 1000±30mm | 8719956626531 |
| DC-C55-015 | 1500±30mm | 8719956626630 |
| DC-C55-020 | 2000±30mm | 8719956626739 |
| DC-C55-030 | 3000±50mm | 8719956626838 |
| DC-C55-050 | 5000±200mm | 8719956626937 |
| DC-C55-075 | 7500±200mm | 8719956627033 |
| DC-C55-100 | 10000±200mm | 8719956627132 |
| DC-C55-150 | 15000±300mm | 8719956627231 |
| DC-C55-200 | 20000±300mm | 8719956627330 |

| COLOR: ORANGE PANTONE 021 C | | |
|-----------------------------|-------------|---------------|
| ITEM | LENGTH | EAN CODE |
| DC-C56-002 | 250±10mm | 8719956626371 |
| DC-C56-005 | 500±15mm | 8719956626470 |
| DC-C56-010 | 1000±30mm | 8719956626579 |
| DC-C56-015 | 1500±30mm | 8719956626678 |
| DC-C56-020 | 2000±30mm | 8719956626777 |
| DC-C56-030 | 3000±50mm | 8719956626876 |
| DC-C56-050 | 5000±200mm | 8719956626975 |
| DC-C56-075 | 7500±200mm | 8719956627071 |
| DC-C56-100 | 10000±200mm | 8719956627170 |
| DC-C56-150 | 15000±300mm | 8719956627279 |
| DC-C56-200 | 20000±300mm | 8719956627378 |

| COLOR: YELLOW PANTONE 122C | | |
|----------------------------|-------------|---------------|
| ITEM | LENGTH | EAN CODE |
| DC-C57-002 | 250±10mm | 8719956626364 |
| DC-C57-005 | 500±15mm | 8719956626463 |
| DC-C57-010 | 1000±30mm | 8719956626562 |
| DC-C57-015 | 1500±30mm | 8719956626661 |
| DC-C57-020 | 2000±30mm | 8719956626760 |
| DC-C57-030 | 3000±50mm | 8719956626869 |
| DC-C57-050 | 5000±200mm | 8719956626968 |
| DC-C57-075 | 7500±200mm | 8719956627064 |
| DC-C57-100 | 10000±200mm | 8719956627163 |
| DC-C57-150 | 15000±300mm | 8719956627262 |
| DC-C57-200 | 20000±300mm | 8719956627361 |

| COLOR: VIOLET PANTONE 2725C | | |
|-----------------------------|-------------|---------------|
| ITEM | LENGTH | EAN CODE |
| DC-C58-002 | 250±10mm | 8719956626395 |
| DC-C58-005 | 500±15mm | 8719956626494 |
| DC-C58-010 | 1000±30mm | 8719956626593 |
| DC-C58-015 | 1500±30mm | 8719956626692 |
| DC-C58-020 | 2000±30mm | 8719956626791 |
| DC-C58-030 | 3000±50mm | 8719956626890 |
| DC-C58-050 | 5000±200mm | 8719956626999 |
| DC-C58-075 | 7500±200mm | 8719956627095 |
| DC-C58-100 | 10000±200mm | 8719956627194 |
| DC-C58-150 | 15000±300mm | 8719956627293 |
| DC-C58-200 | 20000±300mm | 8719956627392 |

| COLOR: PINK PANTONE 212C | | |
|--------------------------|-------------|---------------|
| ITEM | LENGTH | EAN CODE |
| DC-C59-002 | 250±10mm | 8719956626388 |
| DC-C59-005 | 500±15mm | 8719956626487 |
| DC-C59-010 | 1000±30mm | 8719956626586 |
| DC-C59-015 | 1500±30mm | 8719956626685 |
| DC-C59-020 | 2000±30mm | 8719956626784 |
| DC-C59-030 | 3000±50mm | 8719956626883 |
| DC-C59-050 | 5000±200mm | 8719956626982 |
| DC-C59-075 | 7500±200mm | 8719956627088 |
| DC-C59-100 | 10000±200mm | 8719956627187 |
| DC-C59-150 | 15000±300mm | 8719956627286 |
| DC-C59-200 | 20000±300mm | 8719956627385 |

Master mark



Side mark

PO. NO:
Item no:
Q' TY:
N. W:
G. W:
Dimension:
Carton No. :
EAN CODE:

| | | | | | | | | | | |
|----|-----|-------------------------------|------------|------|---------|--------------|--------------------------|------------|------|----|
| | | | | | | WG | | | | |
| | | | | | | PRODUCT NAME | CAT. 5E U/UTP PATCH CORD | | UNIT | MM |
| | | NEW | 2018-09-12 | A | DRAWNBY | CHECKBY | APPOBY | DATE | | |
| BY | CHK | REVISION RECORD MODIFICATIONS | DATE | REV. | | | | 2018-09-12 | | |